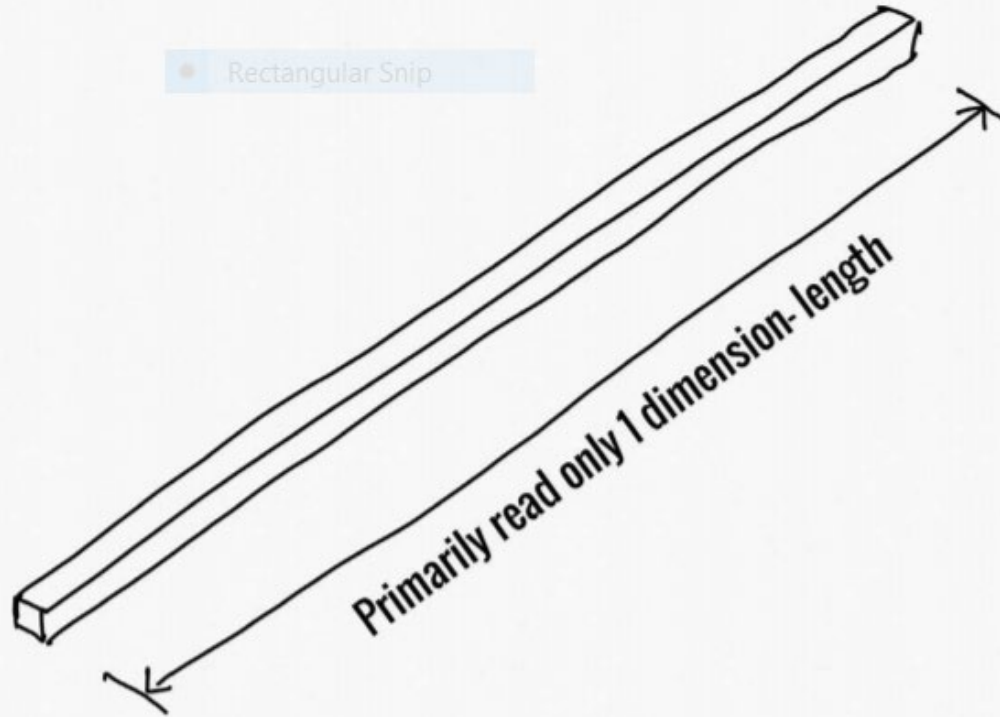


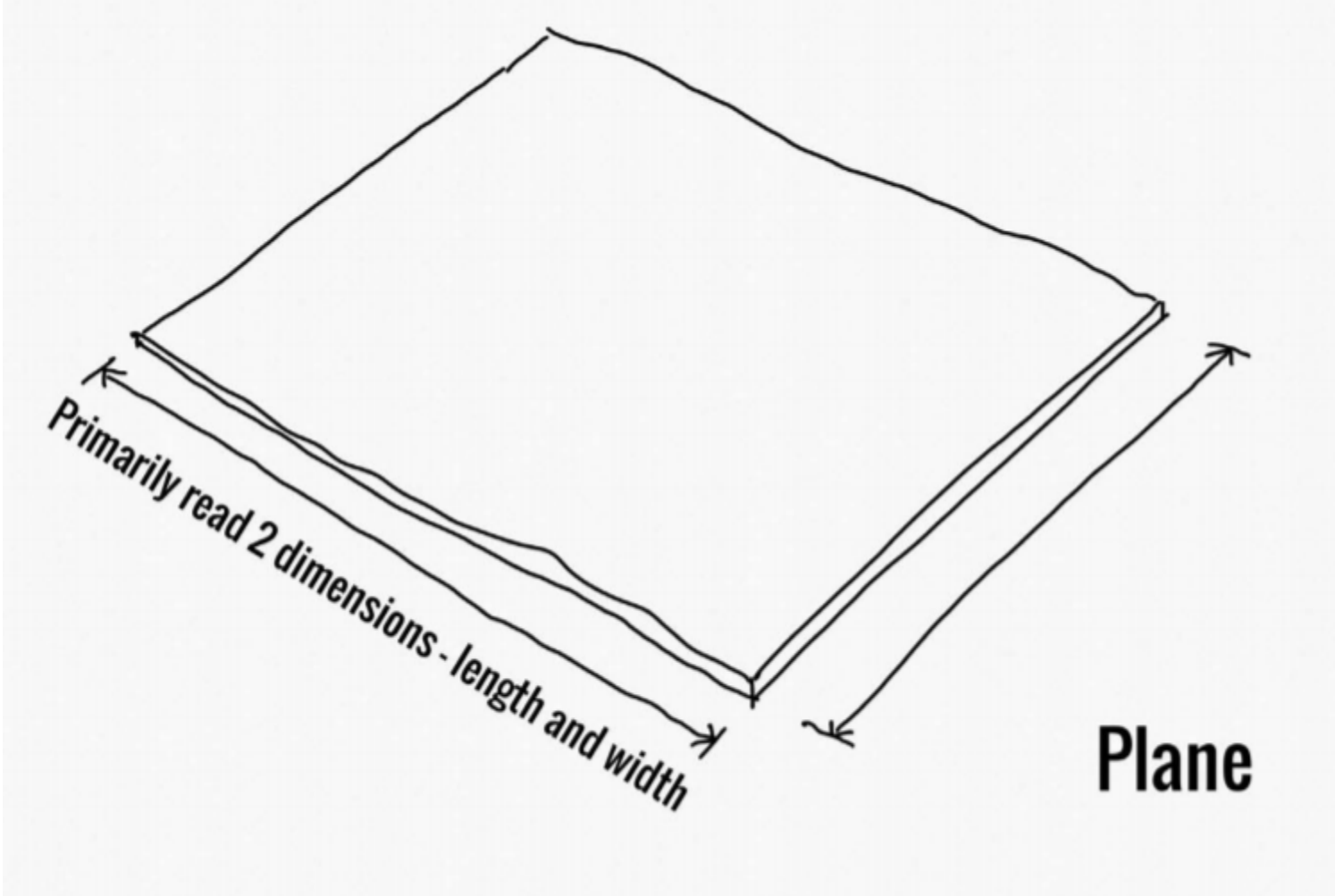
# Form

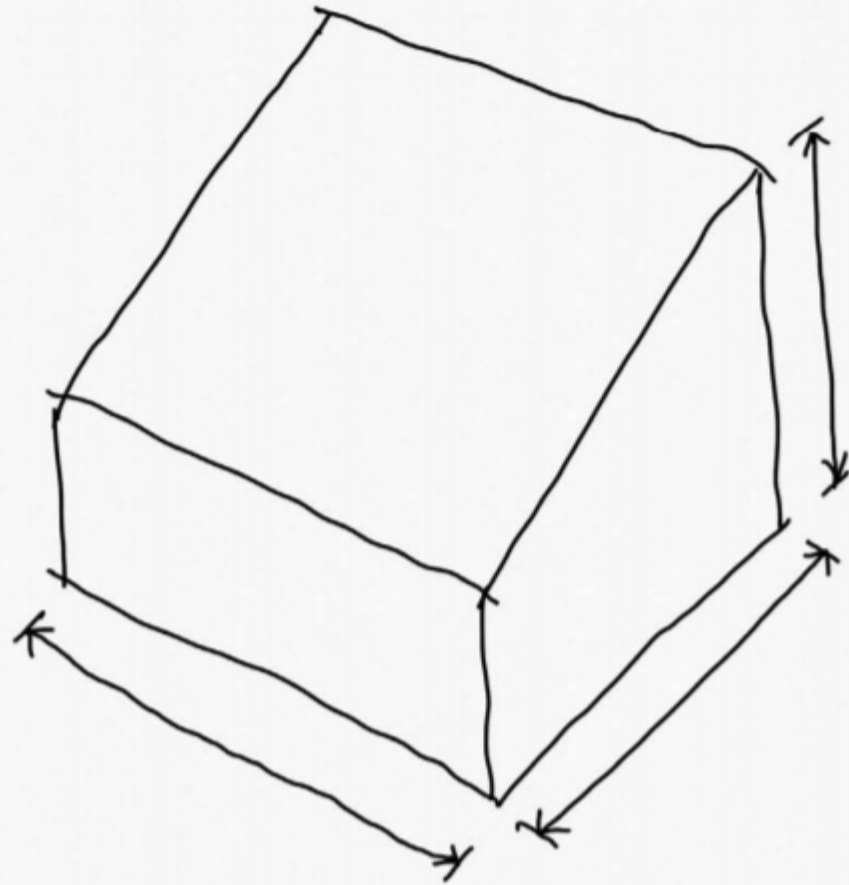
**1D 2D 3D Student Exemplars – Form composition**

Rectangular Snip



**Line**

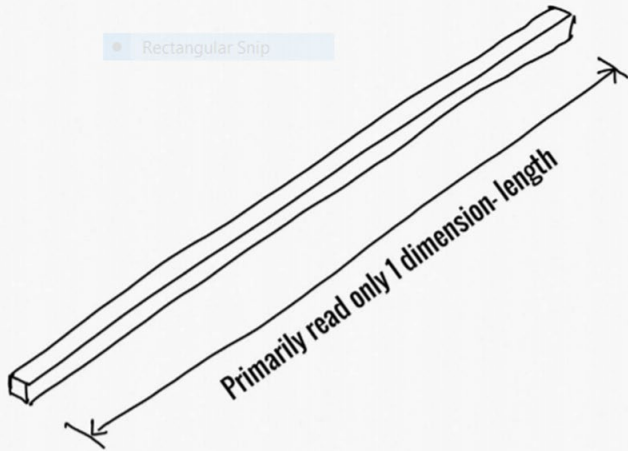




All 3 dimensions read visually - length, width, and height

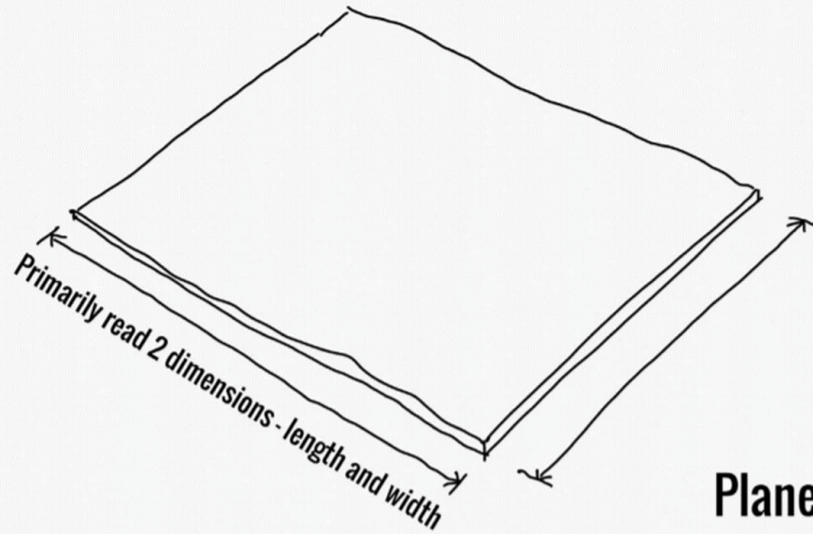
**Mass**

Rectangular Snip



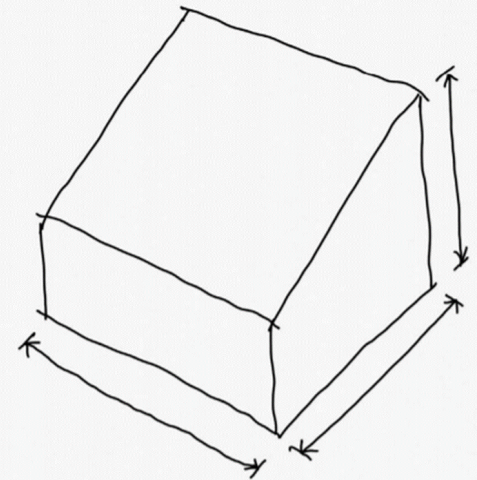
Primarily read only 1 dimension- length

**Line**



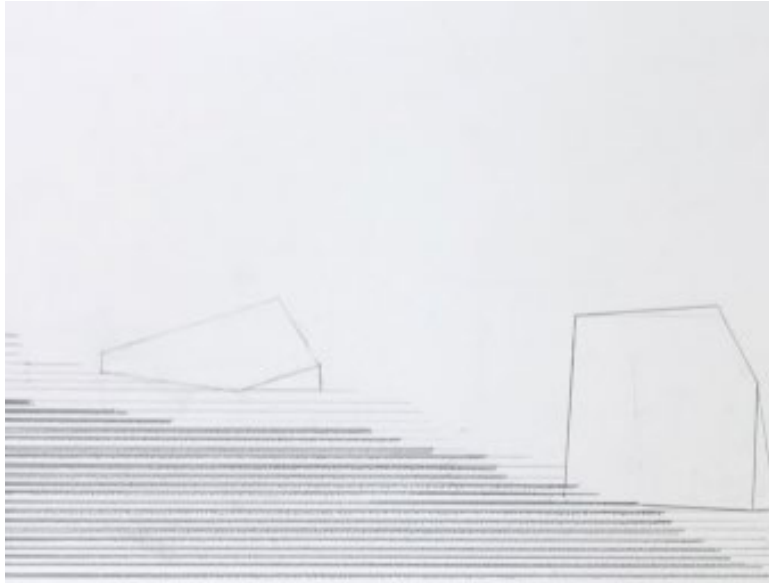
Primarily read 2 dimensions - length and width

**Plane**

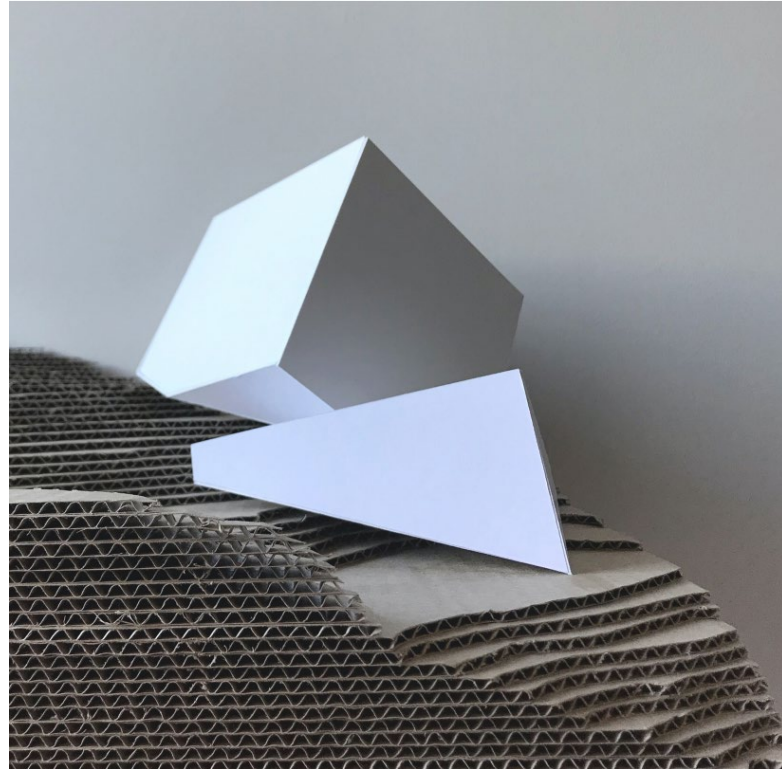


All 3 dimensions read visually - length, width, and height

**Mass**



MASS – 3D



PLANAR – 2D



STRUCTURAL – 1D





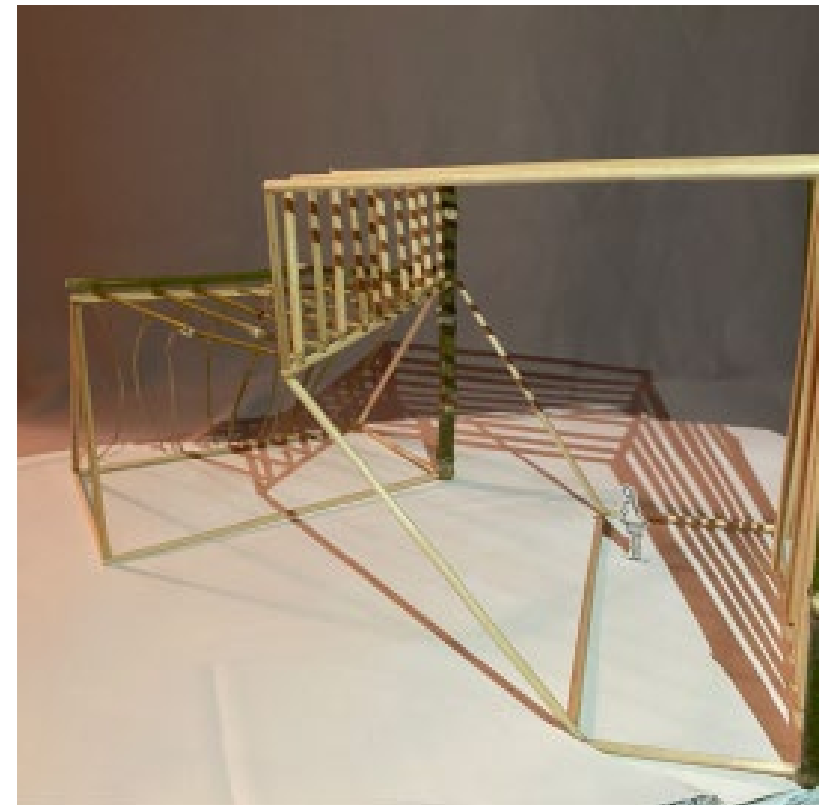
FORM COMPOSITION – 3D 2D 1D – MASS, PLANE, LINE



MASS – 3D



PLANAR – 2D



STRUCTURAL – 1D





FORM COMPOSITION – 3D 2D 1D – MASS, PLANE,LINE



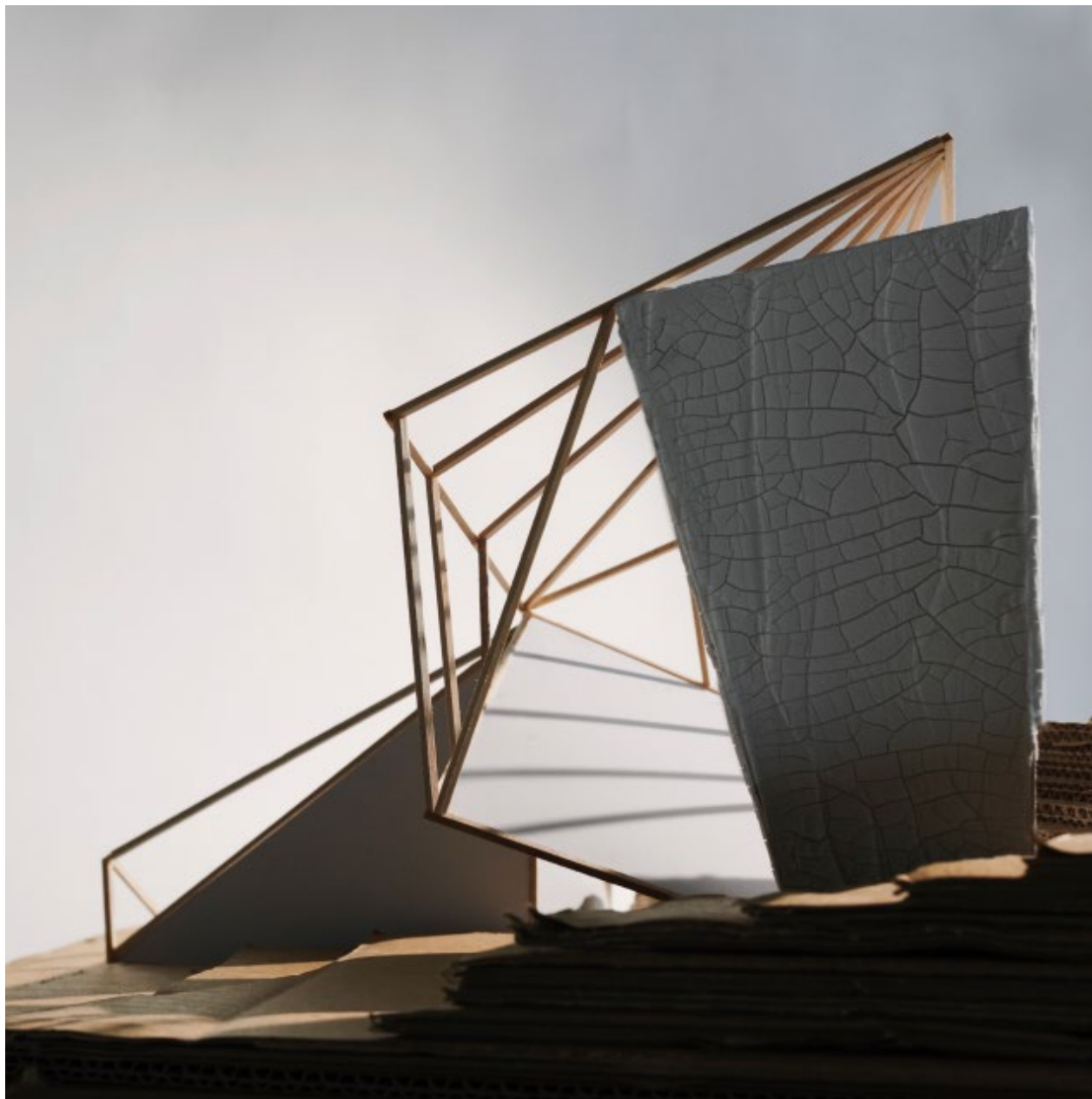
MASS = 3D



PLANAR - 2D



STRUCTURAL - 1D



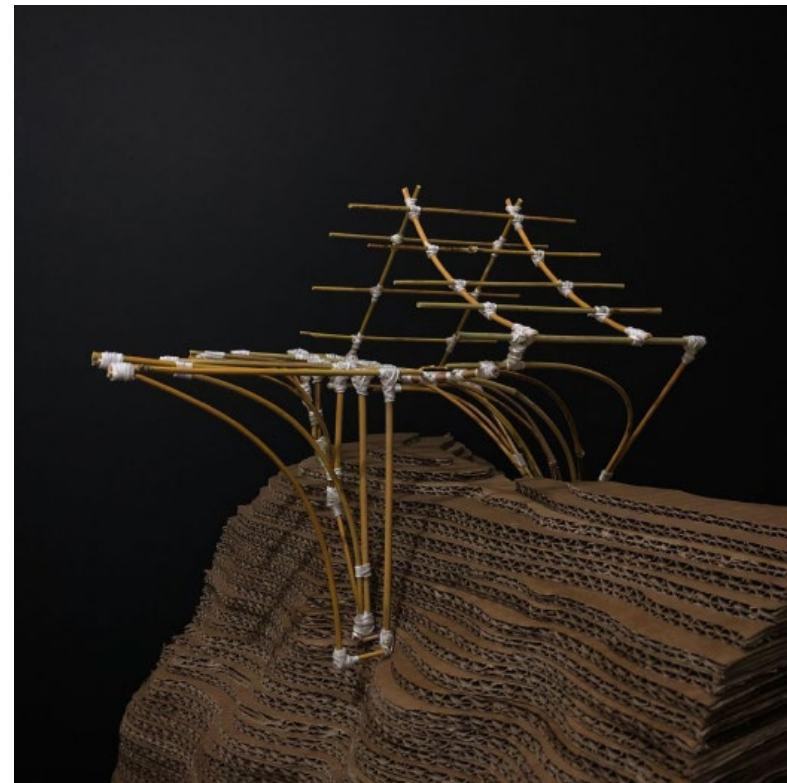
FORM COMPOSITION – 3D 2D 1D – MASS, PLANE, LINE



MASS – 3D



PLANAR – 2D



STRUCTURAL – 1D

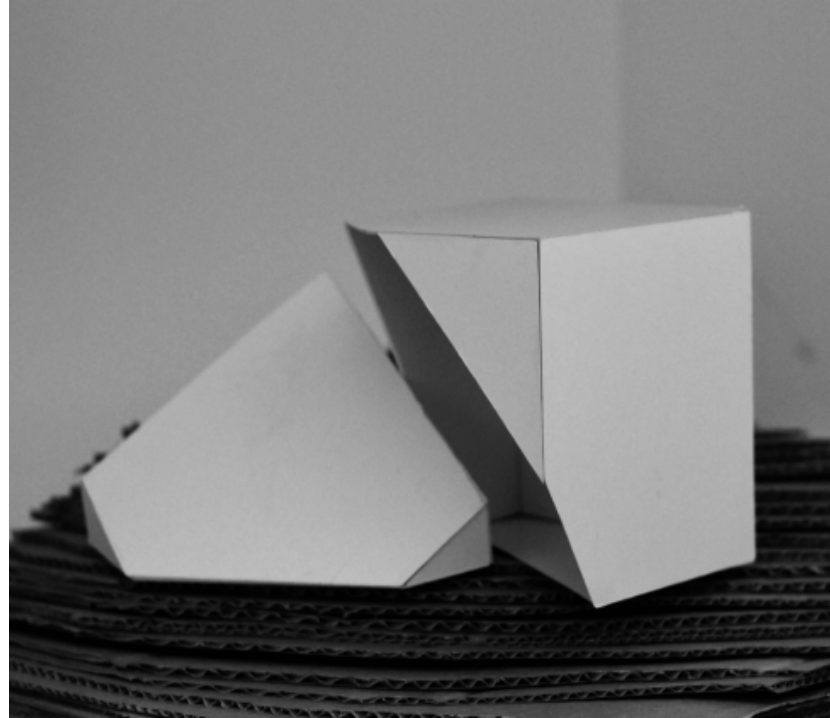




FORM COMPOSITION – 3D 2D 1D – MASS, PLANE, LINE



MASS – 3D



PLANAR – 2D



STRUCTURAL – 1D

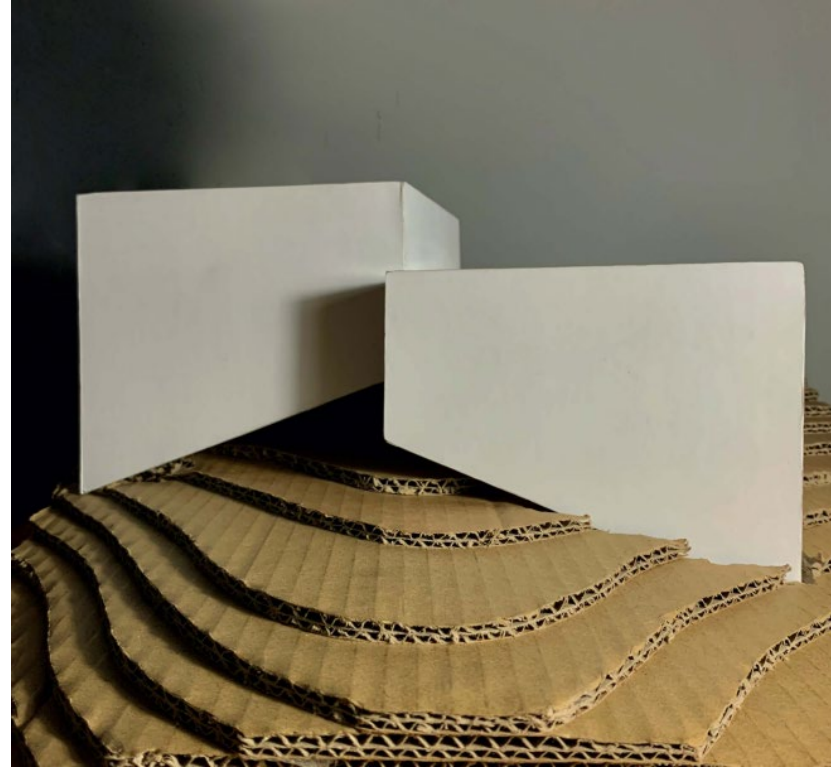


FORM COMPOSITION – 3D 2D 1D – MASS, PLANE, LINE





MASS – 3D



PLANAR – 2D



STRUCTURAL – 1D



FORM COMPOSITION – 3D 2D 1D – MASS, PLANE, LINE