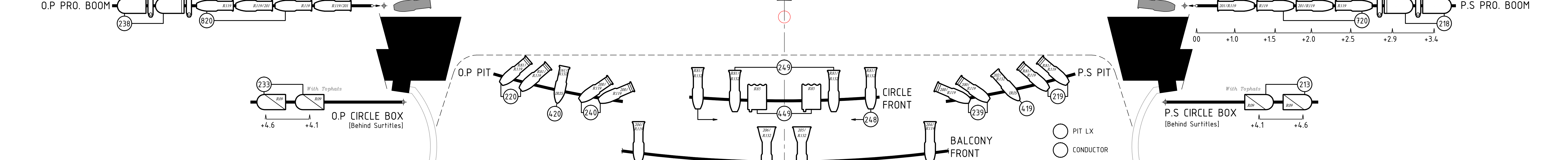
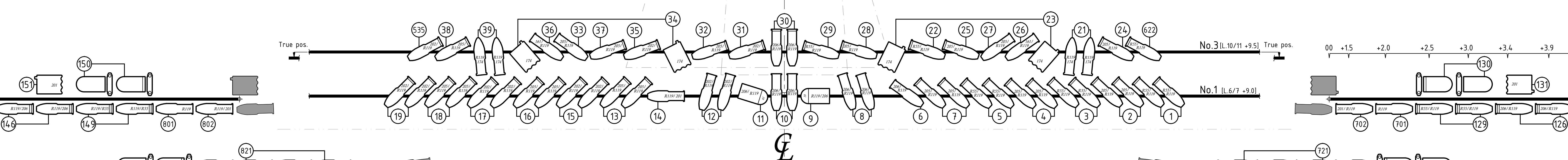
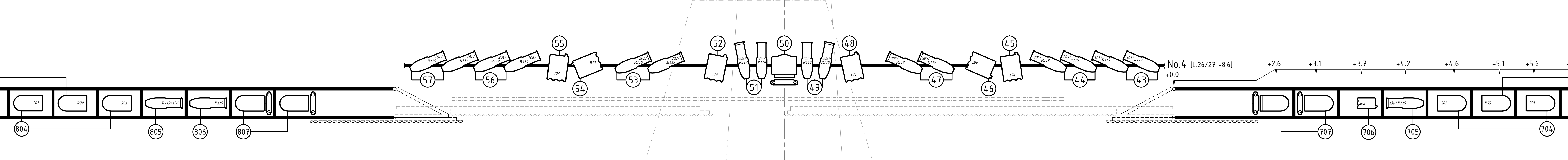
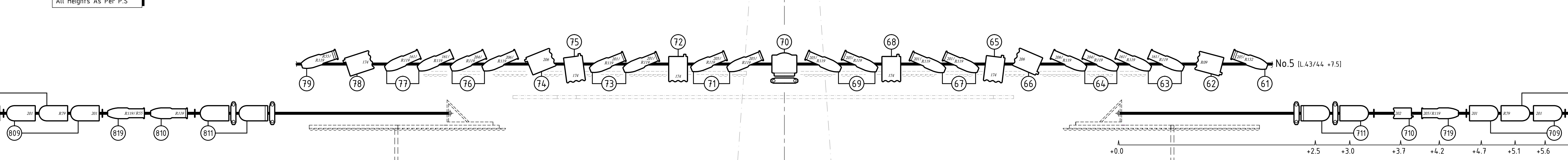
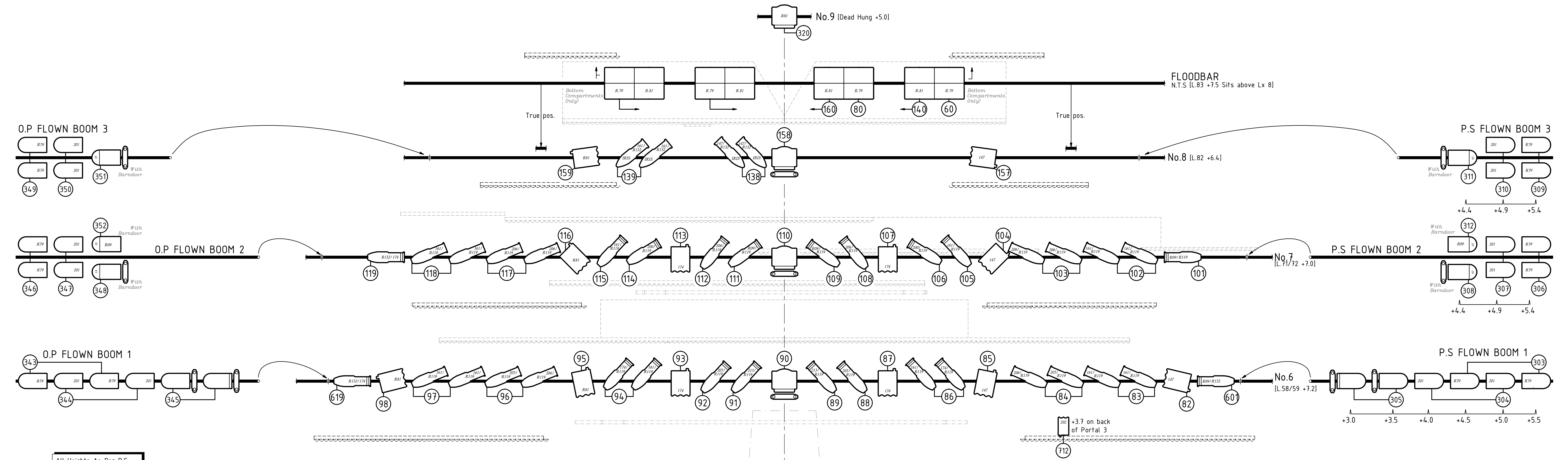
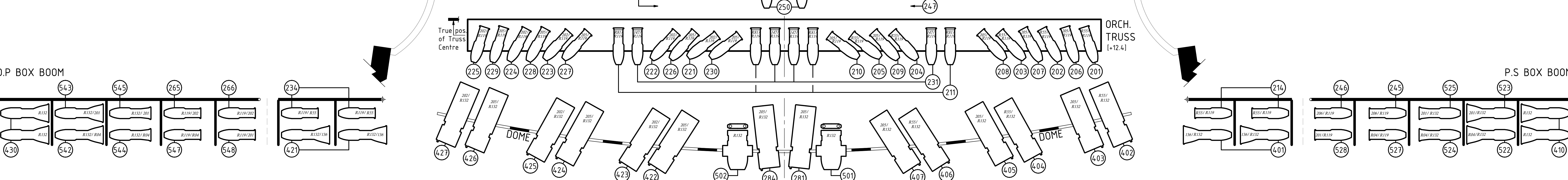


- S.4 REVOLUTION w. Iris, Shutters, Scroller & Int. R132
  - R.J. 715X2 8/16"
  - S.4 10"
  - S.4 14"
  - S.4 19"
  - S.4 26"
  - S.4 36"
  - SL 15/32"
  - SK FRESNEL
  - R.J. 2K FRESNEL
  - 650w. FRESNEL
  - PAR 64 110v. V.N.S.P.
  - PAR 64 110v. N.S.P.
  - PAR 64 110v. M.F.L.
  - Par 64 240v. CP61
  - IRIS 4
  - SK SCROLLER
  - PAR SCROLLER
- All Fresnels have Barndoors  
 ● Heights on Bars are Stage Floor to Hook-Clamp  
 ● Heights on Booms are Stage Floor to Lens



| MISC | COKE MACHINE |          | HAND - HELD PINSPOTS |      | IN SET   |              |
|------|--------------|----------|----------------------|------|----------|--------------|
|      | 715          | 716      | O.P.                 | P.S. | 809      | 810          |
|      | Doors        | Budlight | U.S.                 | U.S. | Windmill | Chicken Coop |
|      | Red Lightbox | Neon     | D.S.                 | U.S. | Sun Box  | Moon Box     |

| SCROLLERS | 1K's  |        | 5K's  |        | REVOLUTIONS |        |
|-----------|-------|--------|-------|--------|-------------|--------|
|           | POS.  | COLOUR | POS.  | COLOUR | POS.        | COLOUR |
| 1         | O/W   | 1      | O/W   | 1      | L.205       |        |
| 2         | L.147 | 2      | L.147 | 2      | L.206       |        |
| 3         | R.09  | 3      | R.09  | 3      | O/W         |        |
| 4         | L.138 | 4      | O/W   | 4      | L.202       |        |
| 5         | R.57  | 5      | L.174 | 5      | L.201       |        |
| 6         | O/W   | 6      | R.81  | 6      | L.200       |        |
| 7         | L.174 | 7      | R.85  |        |             |        |
| 8         | R.81  |        |       |        |             |        |
| 9         | R.79  |        |       |        |             |        |
| 10        | R.85  |        |       |        |             |        |



Final : 11-VII-16

## ELIXIR OF LOVE

• WEST AUSTRALIAN OPERA •

• His Majesty's Theatre : Perth •

|                |                        |                |
|----------------|------------------------|----------------|
| Director:      | Set:                   | Lighting:      |
| SIMON PHILLIPS | MICHAEL SCOTT-MITCHELL | NICK SCHLIEPER |

© Nick Schlieper • July, 2016 • Drawn: NS • Scale = 1 : 25